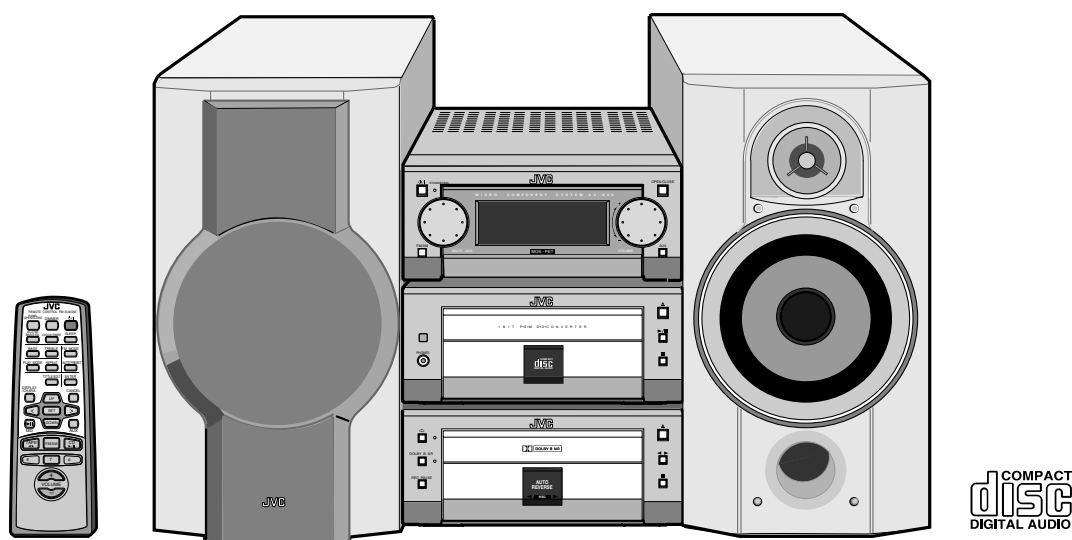


# JVC

# SERVICE MANUAL

## MICRO COMPONENT SYSTEM

### UX-G66



COMPACT  
disc  
DIGITAL AUDIO

#### Area Suffix

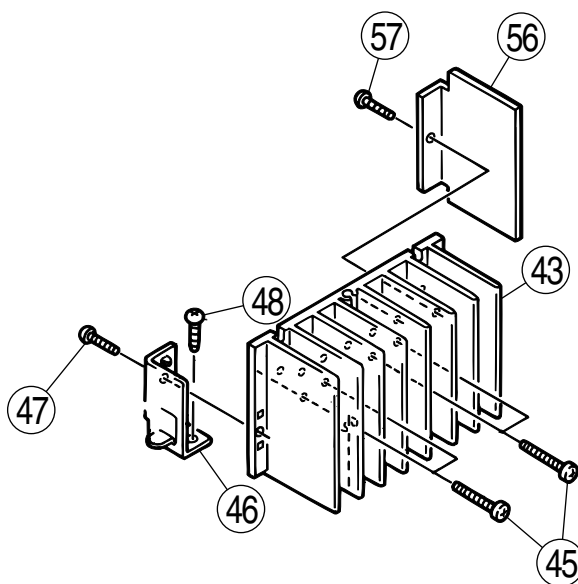
US ----- Singapore

**UX-G66 is a model to which the speaker of UX-G6 is changed.  
Therefore, This service manual is consisting of difference parts list  
with UX-G6 only.  
For others, please refer to the service manual of UX-G6 (issue No.20808).**

■ Parts list(AX-UXG6 General assembly)

P3-3 Block No. M1MM

| △ | Item | Parts name    | Parts number |              | Q'ty |
|---|------|---------------|--------------|--------------|------|
|   |      |               | U version    | US version   |      |
|   | 10   | FL LENS       | LV31437-002A | LV31437-005A | 1    |
|   | 56   | SUB HEAT CINK | -----        | LV41689-002A | 1    |
|   | 57   | SCREW         | -----        | QYSBSF2608Z  | 1    |
|   | 61   | REAR PANEL    | LV20526-012A | LV20526-027A | 1    |



■ Parts list(XT-UXG6 General assembly)

P3-11 Block No. M2MM

| △ | Item | Parts name | Parts number |              | Q'ty |
|---|------|------------|--------------|--------------|------|
|   |      |            | U version    | US version   |      |
|   | 40   | REAR PANEL | LV20521-007A | LV20521-011A | 1    |

■ Parts list(TD-UXG6 General assembly)

P3-21 Block No. M5MM

| △ | Item | Parts name | Parts number |              | Q'ty |
|---|------|------------|--------------|--------------|------|
|   |      |            | U version    | US version   |      |
|   | 26   | REAR PANEL | LV20527-007A | LV20527-021A | 1    |

■ Packing Parts list

P3-31 Block No. M7MM

| △ | Item | Parts name   | Parts number |              | Q'ty |
|---|------|--------------|--------------|--------------|------|
|   |      |              | U version    | US version   |      |
|   | P1   | PACKING CASE | LV31463-008A | LV31463-016A | 1    |

■ Accessories Parts list

P3-31 Block No. M8MM

| △ | Item | Parts name        | Parts number                  |                                   | Q'ty |
|---|------|-------------------|-------------------------------|-----------------------------------|------|
|   |      |                   | U version                     | US version                        |      |
|   | A1   | INST BOOK         | LVT0377-001A<br>(ENG,CHI,SPA) | LVT0705-008A<br>(ENG,CHI,SPA,POR) | 1    |
|   | A8   | SIEMENS PLUG      | QAM0060-001                   | QAM0112-001                       | 1    |
|   | A13  | SPEAKER BOX ASS'Y | UXG6R-SPBOX                   | UXG66K-SPBOX                      | 2    |
|   | A14  | SPEAKER NET       | LV10294-001A                  | 99-130-064-11                     | 2    |



VICTOR COMPANY OF JAPAN, LIMITED

AUDIO & COMMUNICATION BUSINESS DIVISION

PERSONAL & MOBILE NETWORK BUSINESS UNIT. 10-1,1Chome,Ohwatari-machi,Maebashi-city,371-8543,Japan